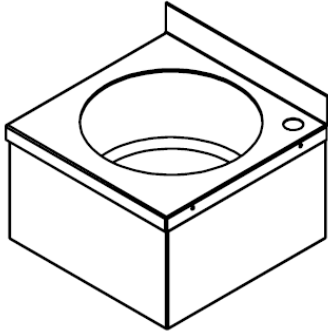
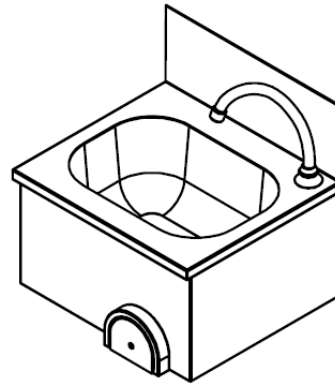


# HANDWASH BASINS

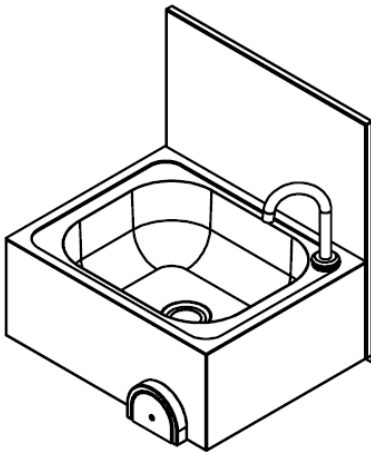
## INSTALLATION & USER MANUAL



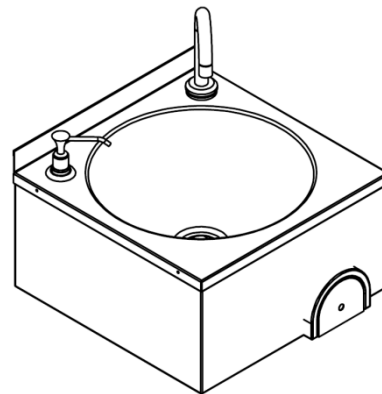
**HANDY MODEL**



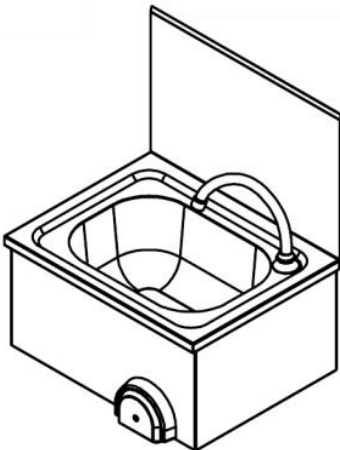
**EASY MODEL**



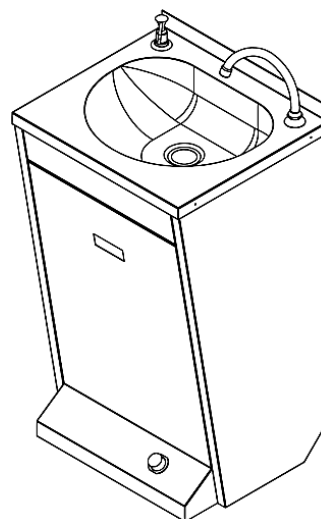
**MARS MODEL**



**MOON MODEL**



**SMART MODEL**



**ELLIPSE MODEL**

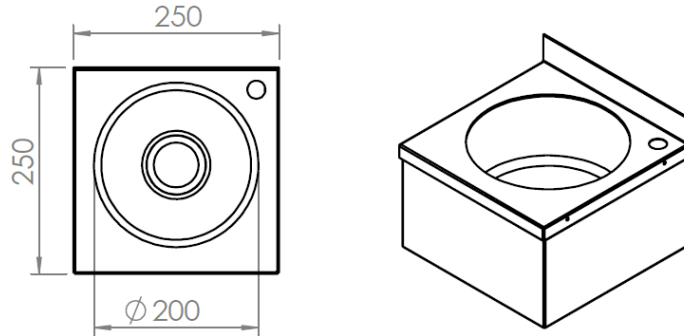
# TECHNICAL DATA

## 1. HANDY MODEL

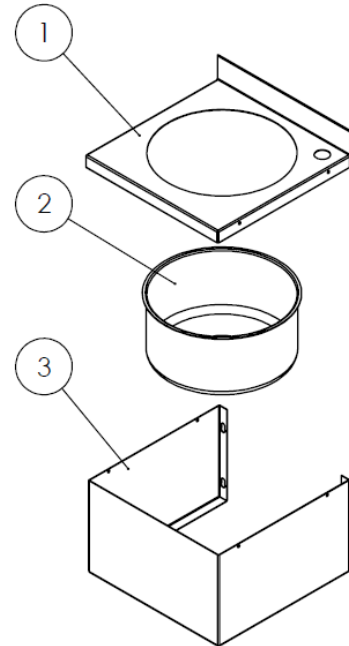
Dimensions: 250 x 250 x 153 mm.

Raw material: AISI 304 Stainless steel.

Control type: Manual control.



Product Components		
Part No.	Part Name	Piece
1	Table	1
2	Sink	1
3	Body sheet	1

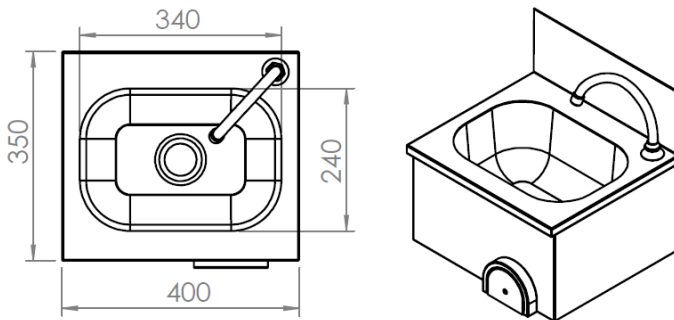


## 2. EASY MODEL

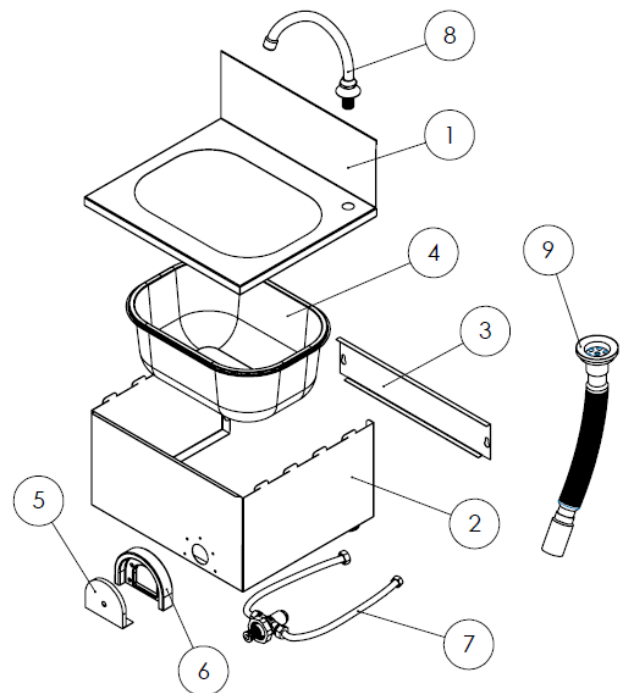
Dimensions: 400 x 350 x 230 mm.

Raw material: AISI 304 Stainless steel.

Control type: Knee control.



Product Components		
Part No.	Part Name	Piece
1	Table	1
2	Body sheet	1
3	Hang profile	1
4	Sink	1
5	Knee control button	1
6	Button flange	1
7	Fitting with single inlet	1
8	Tap	1
9	Siphon	1

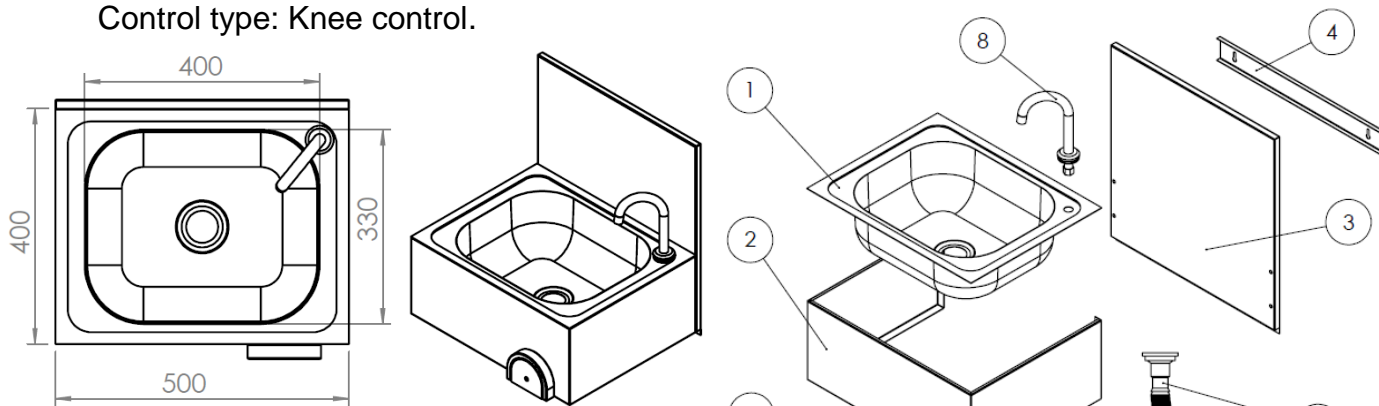


### 3. MARS MODEL

Dimensions: 500 x 400 x 210 mm.

Raw material: AISI 304 Stainless steel.

Control type: Knee control.



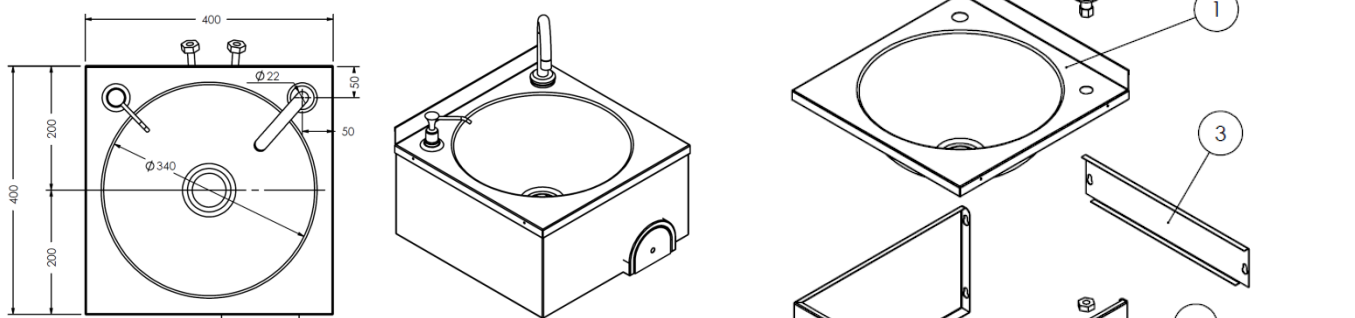
Product Components		
Part No.	Part Name	Piece
1	Sink	1
2	Body sheet	1
3	Back Wall	1
4	Hang profile	1
5	Knee control button	1
6	Button flange	1
7	Fitting with double inlet	1
8	Tap	1
9	Siphon	1

### 4. MOON MODEL

Dimensions: 400 x 400 x 230 mm.

Raw material: AISI 304 Stainless steel.

Control type: Knee control.



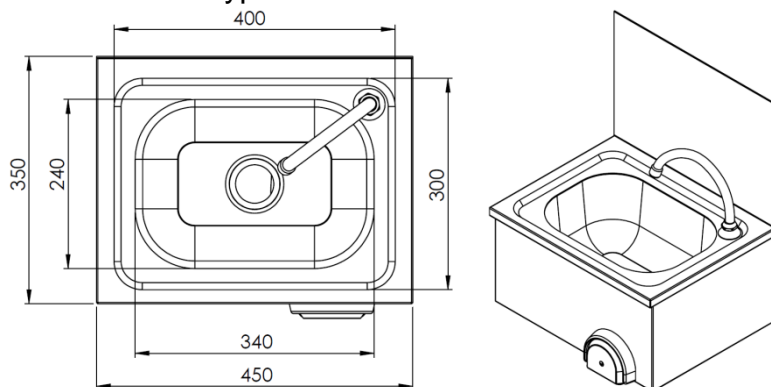
Product Components		
Part No.	Part Name	Piece
1	Sink	1
2	Body sheet	1
3	Hang profile	1
4	Knee control button	1
5	Button flange	1
6	Fitting with double inlet	1
7	Tap	1
8	Siphon	1
9	Soap dispenser (Optional)	1

## 5. SMART MODEL

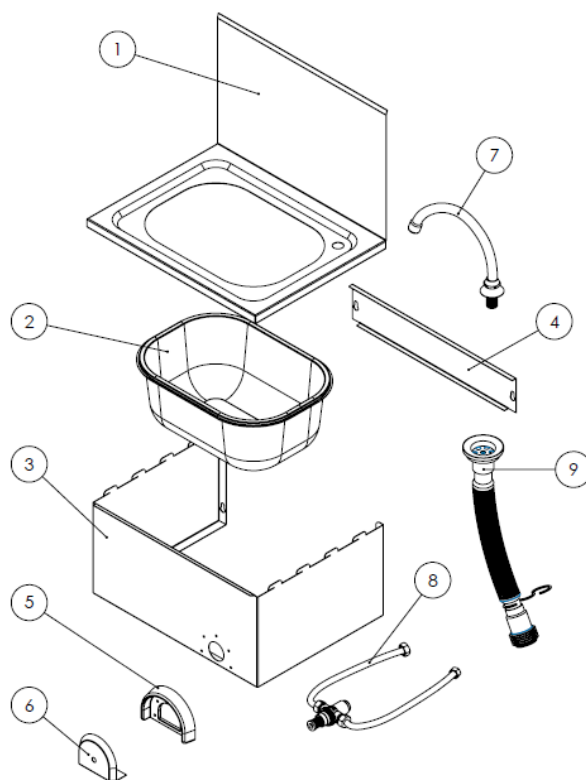
Dimensions: 450 x 350 x 230 mm.

Raw material: AISI 304 Stainless steel.

Control type: Knee control.



Product Components		
Part No.	Part Name	Piece
1	Table	1
2	Sink	1
3	Body sheet	1
4	Hang profile	1
5	Button flange	1
6	Knee control button	1
7	Tap	1
8	Fitting with single inlet	1
9	Siphon	1

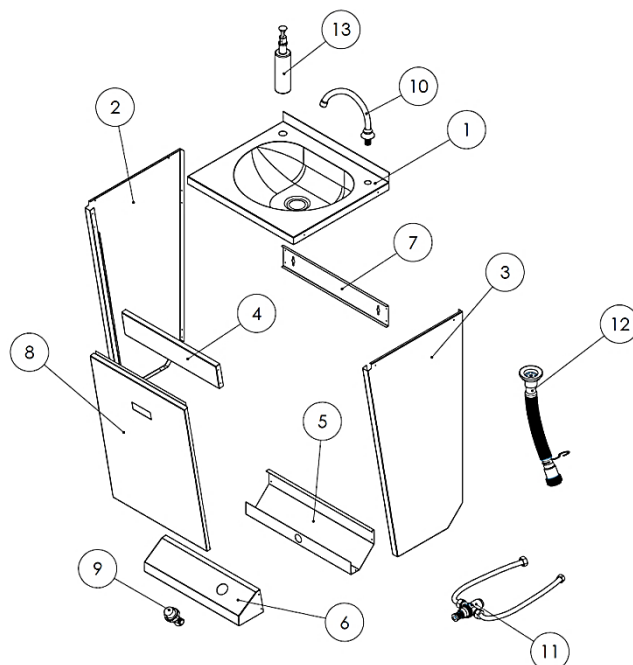
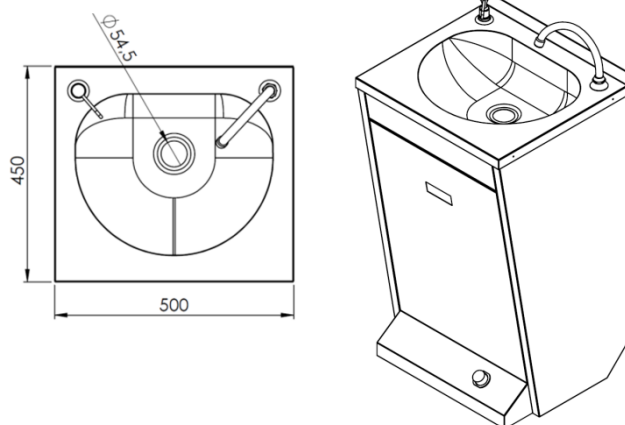


## 6. ELLIPSE MODEL

Dimensions: 500 x 450 x 850 mm.

Raw material: AISI 304 Stainless steel.

Control type: Foot control.



Part No.	Part Name	Piece
1	Sink	1
2	Left side sheet	1
3	Right side sheet	1
4	Front top sheet	1
5	Back bottom sheet	1
6	Foot push sheet	1
7	Hang profile	1

Part No.	Part Name	Piece
8	Front cover sheet	1
9	Foot control button	1
10	Tap	1
11	Fitting with double inlet	1
12	Siphon	1
13	Soap dispenser (Optional)	1

# INSTALLATION

## WALL MOUNTING

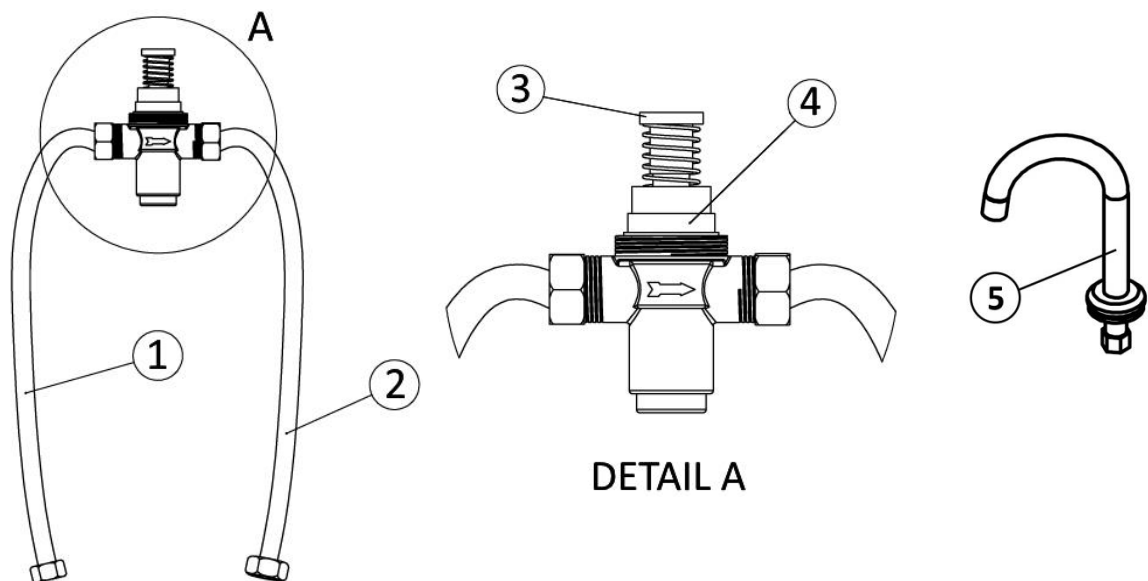
1. Open holes in the wall in accordance with the dimensions of the mounting holes on the rear surface of the product.
2. After having drilled holes in the wall, use the suitable bolts or screws.
3. Tighten the bolts or screws so that they fit into the mounting hole.
4. Place the handwash basin horizontally in a suitable place on the wall.
5. Fixed the product by passing the bolts or screws through the mounting holes.
6. Make sure that the bolts or screws hold the product firmly.
7. Ensure that suitable wall fixings are used. If in any doubt, do not complete the installation.

## PLUMBING INSTALLATION

Make sure that the plumbing installation as shown in the following tables and pictures. Only water and tap connections must be made by the customer. Other installation connections have been made by the manufacturer.

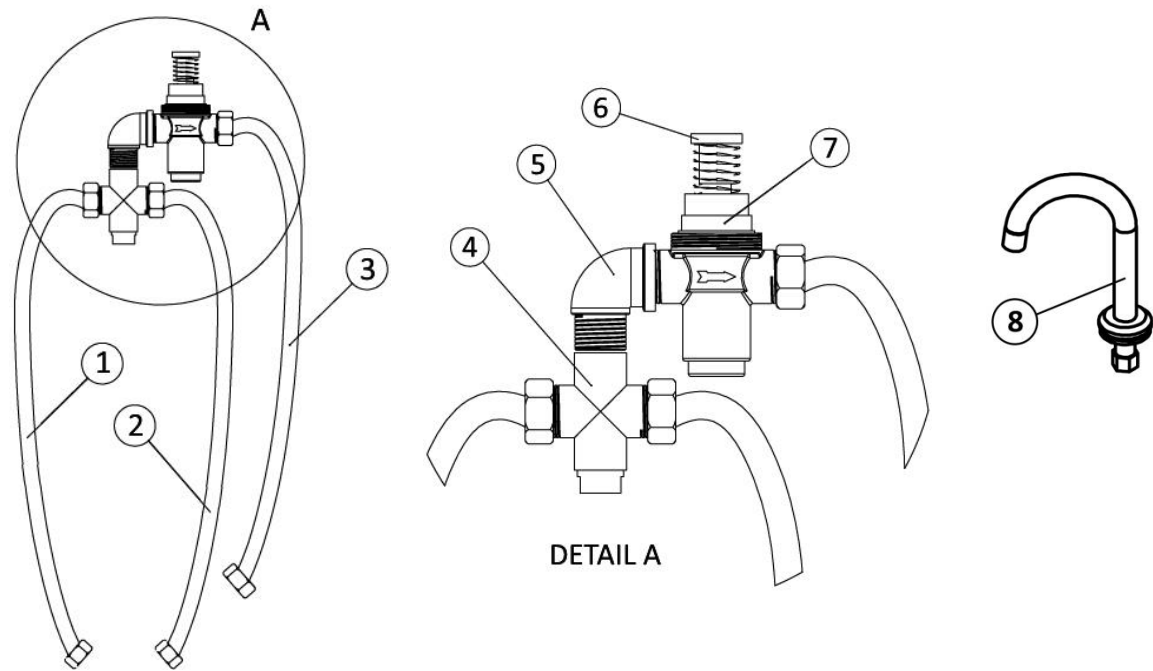
Balanced water pressure supplies required. (*Pressure range: 1.5-3 Bar*)

### 1. SINGLE WATER INLET



Part No.	Part Description
1	Water inlet (3/8" Flexible hose)
2	Water outlet (1/2" Flexible hose)
3	Button (Trigger mechanism)
4	Valve (Timed)
5	Tap

## 2. DOUBLE WATER INLET



Part No.	Part Description
1	Cold water inlet (3/8" Flexible hose)
2	Hot water inlet (3/8" Flexible hose)
3	Water outlet (1/2" Flexible hose)
4	Mixer valve
5	90° Elbow (1/2")
6	Button (Trigger mechanism)
7	Valve (Timed)
8	Tap

## CLEANING AND MAINTENANCE

- The handwash basin parts must be cleaned whenever necessary, with soapy water and a sponge or a soft cloth only.
- For descaling, we recommend the use of liquid descaling products.
- Do not use abrasive or corrosive products (solvents, scouring powder, acid detergents, chlorinate)
- Maintenance operations are limited to the replacement of damaged or worn out parts, particularly when leaks are noticed. In this case you are recommended to call a qualified professional and to use only original spare parts.